

LeMond RevMaster Bikes
LM350000-5 and LM350000-6

Customer Support Services
PARTS MANUAL rev 26 Aug 2008

LeMond RevMaster Bikes
Table of Contents

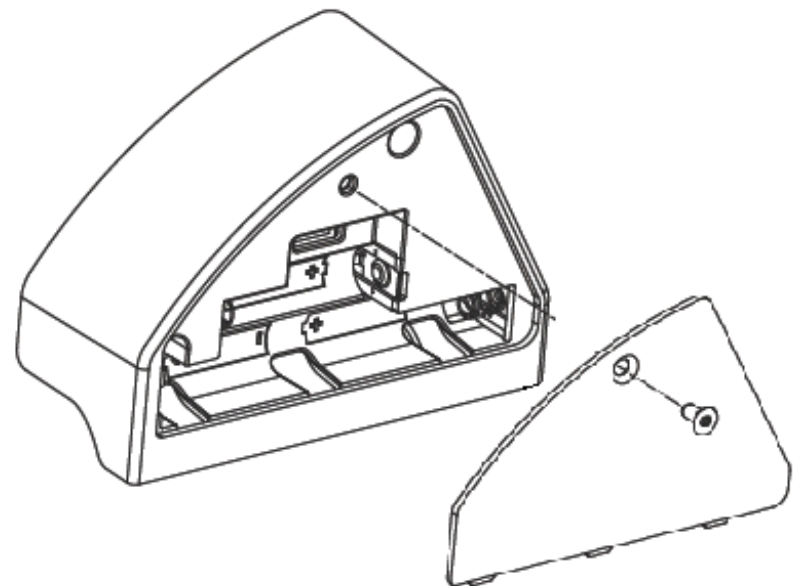
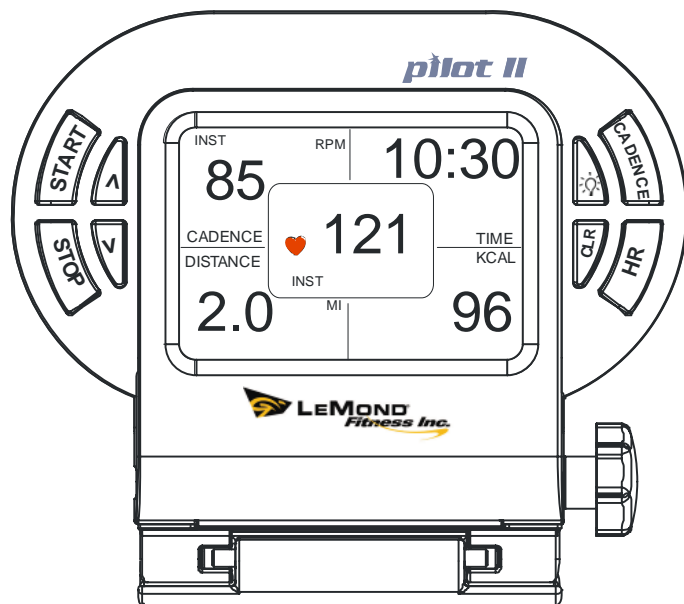
LM350000-5
LM350000-6

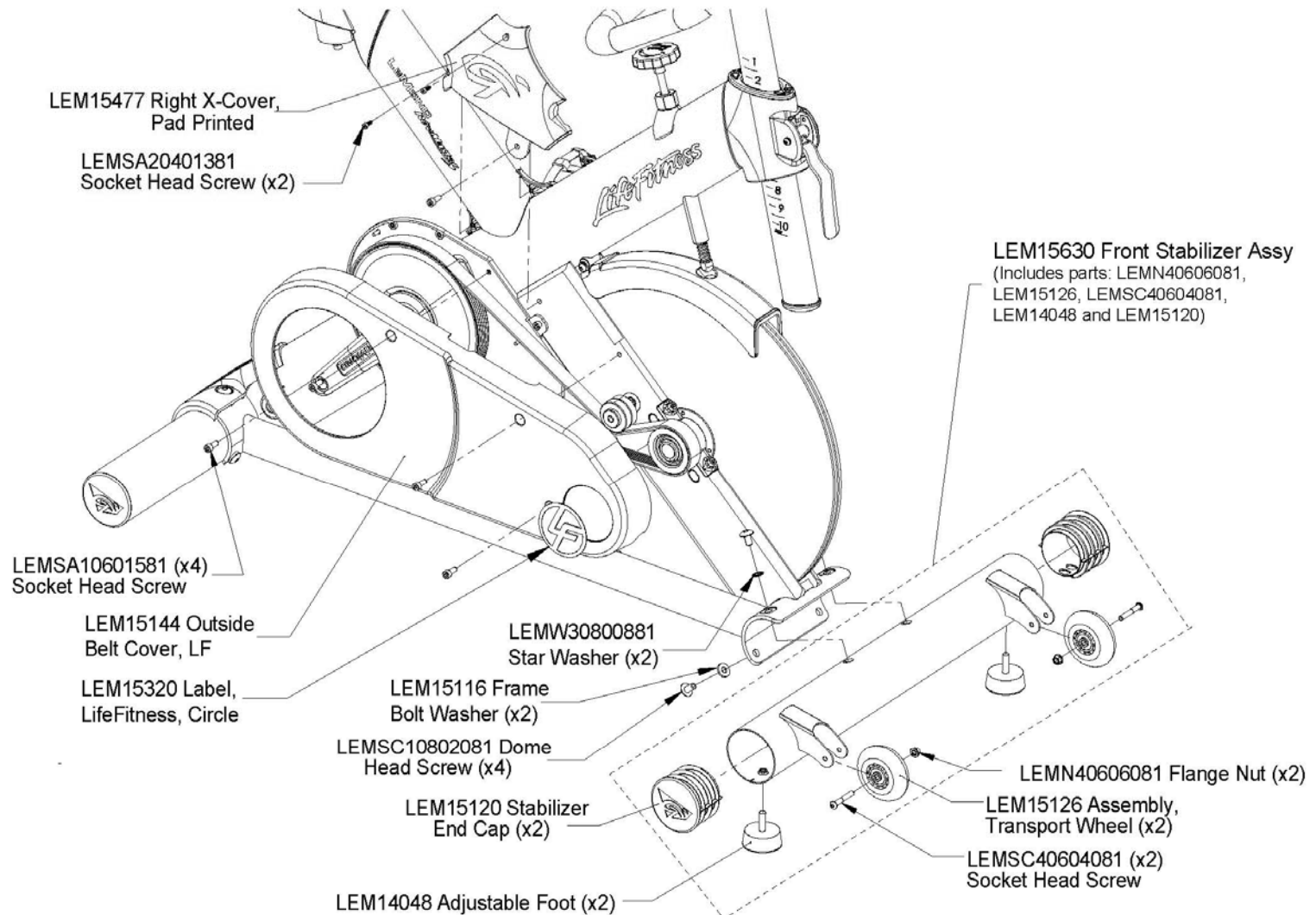
Miscellaneous	3
Front Stabilizer/Belt Cover	4
Left Side/Rear Stabilizer	5
HB Post Assembly	6
Handlebar Assembly	7
Seat Post Assembly	8
Fender Assembly	9
Flywheel Assembly.....	10
Drive System	11

Miscellaneous

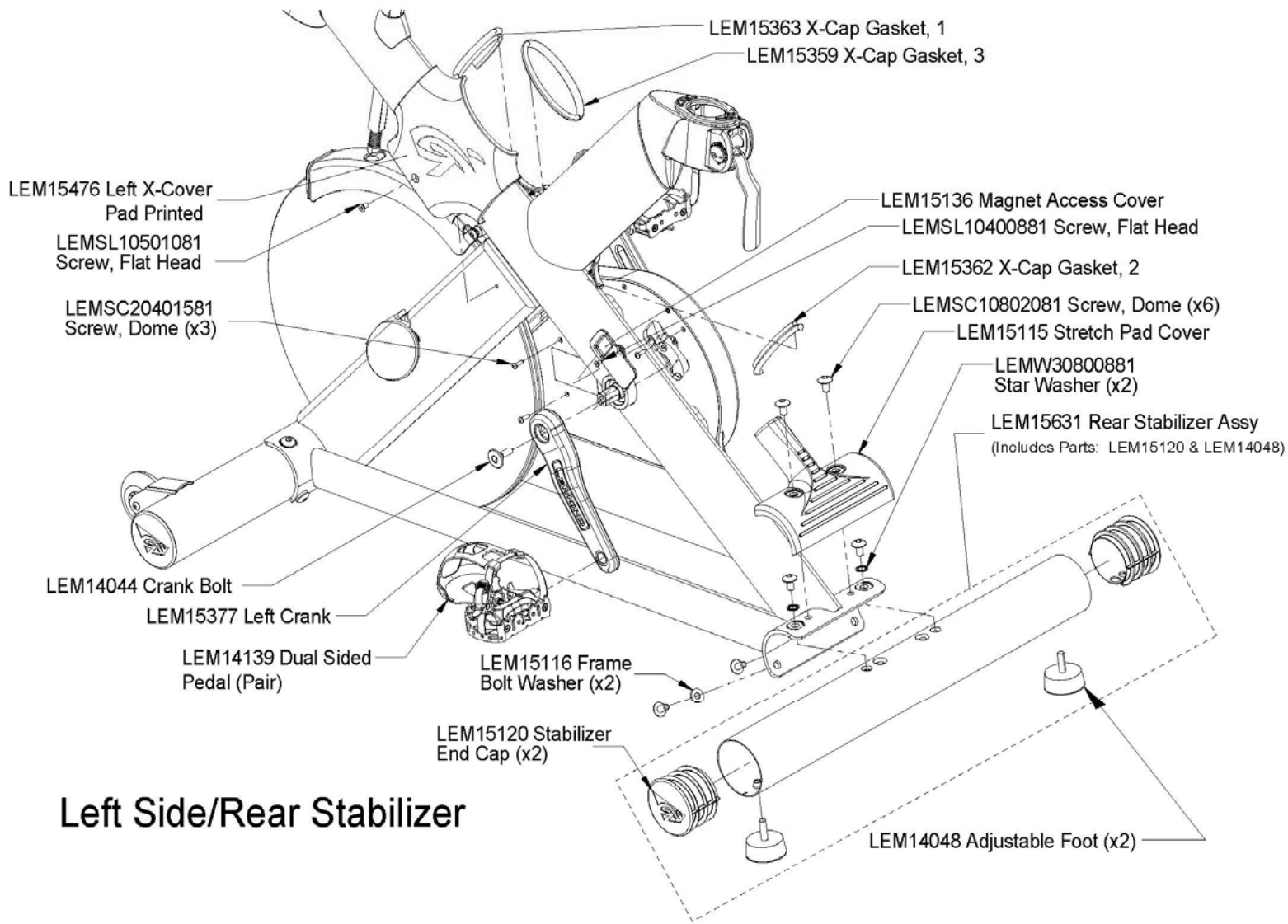
Black Touch-up Paint
LEM15449

Wireless Cadence Meter
LEMOND PILOT METER
LF15350-1

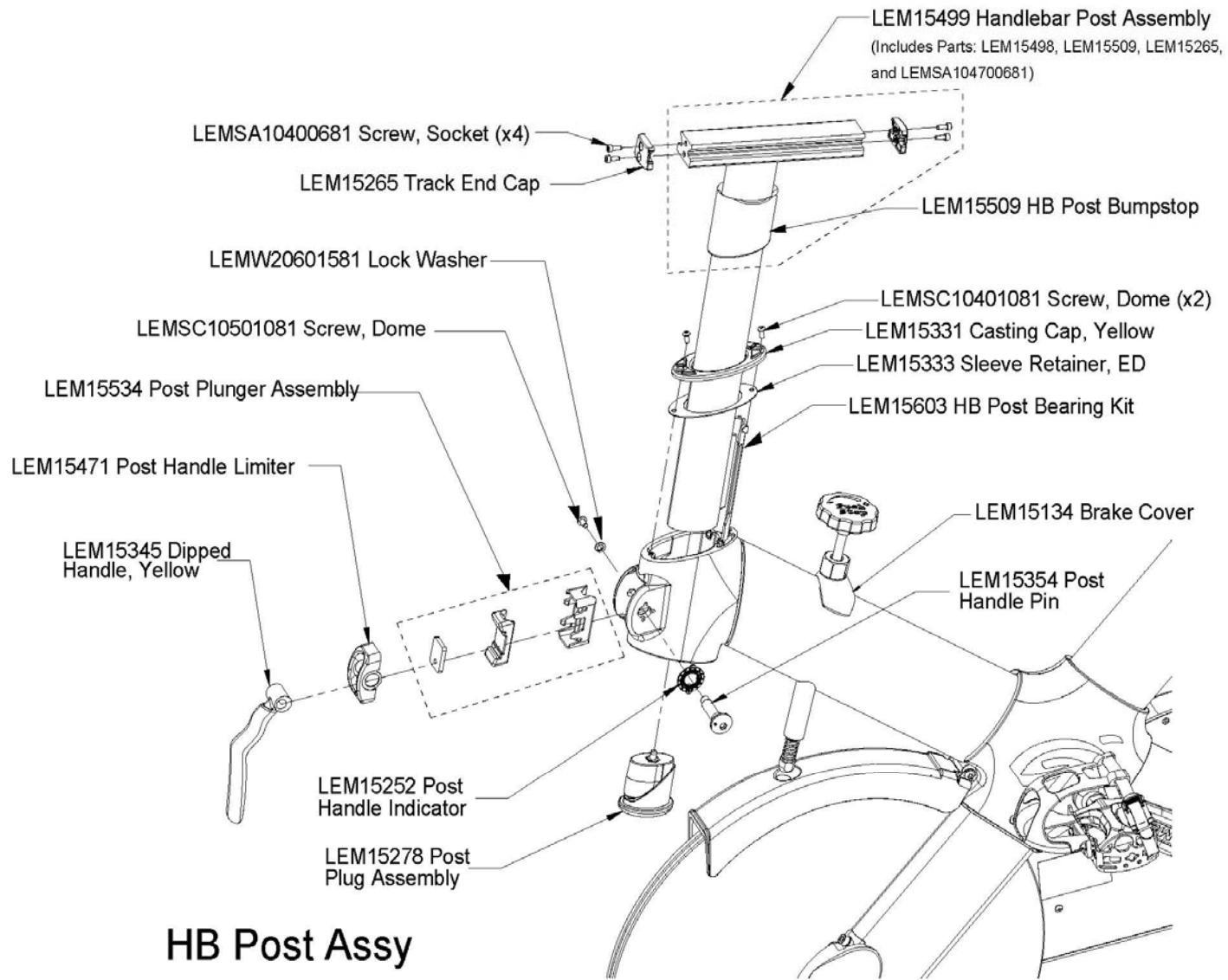


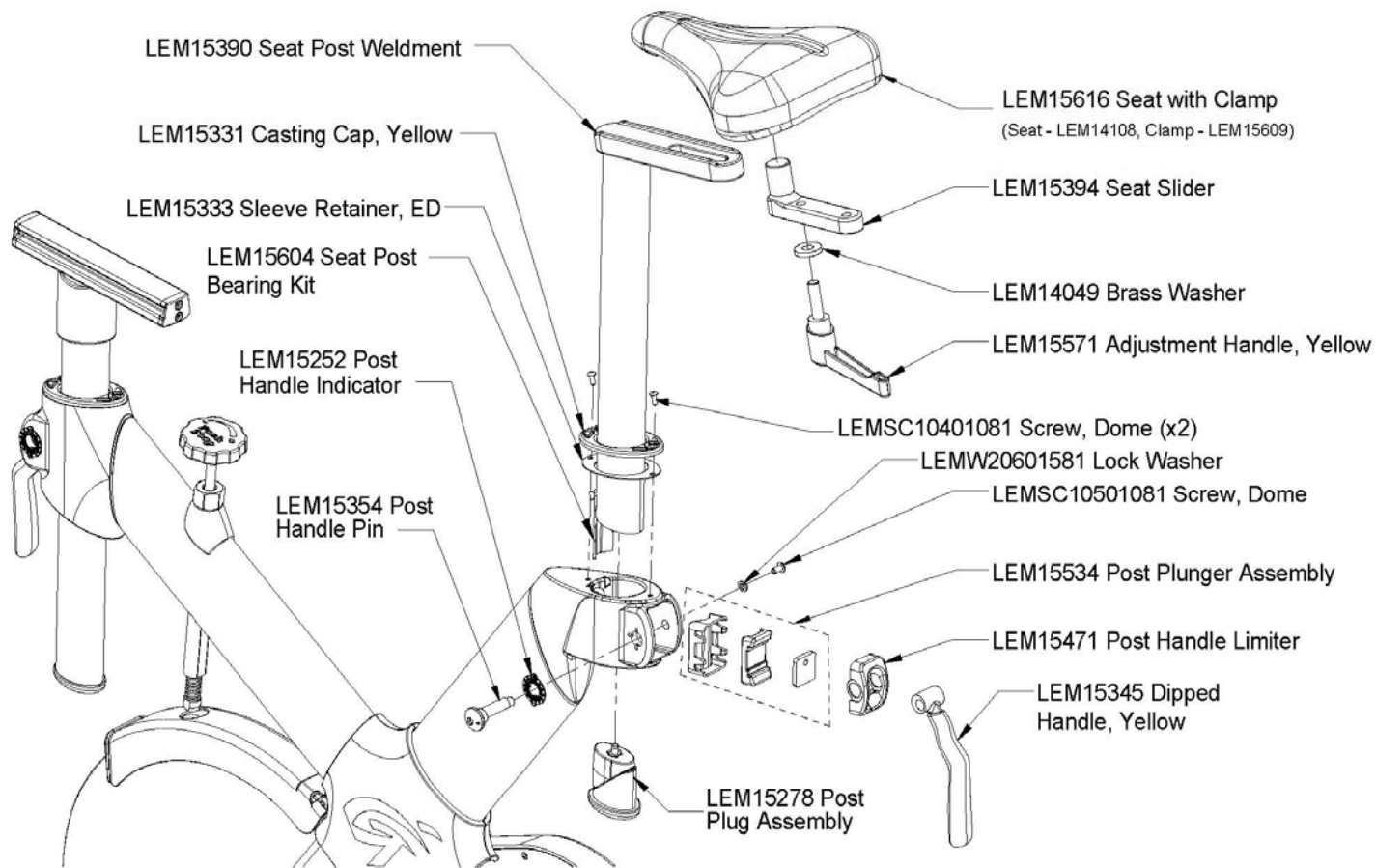


Front Stabilizer/Belt Cover Exploded View

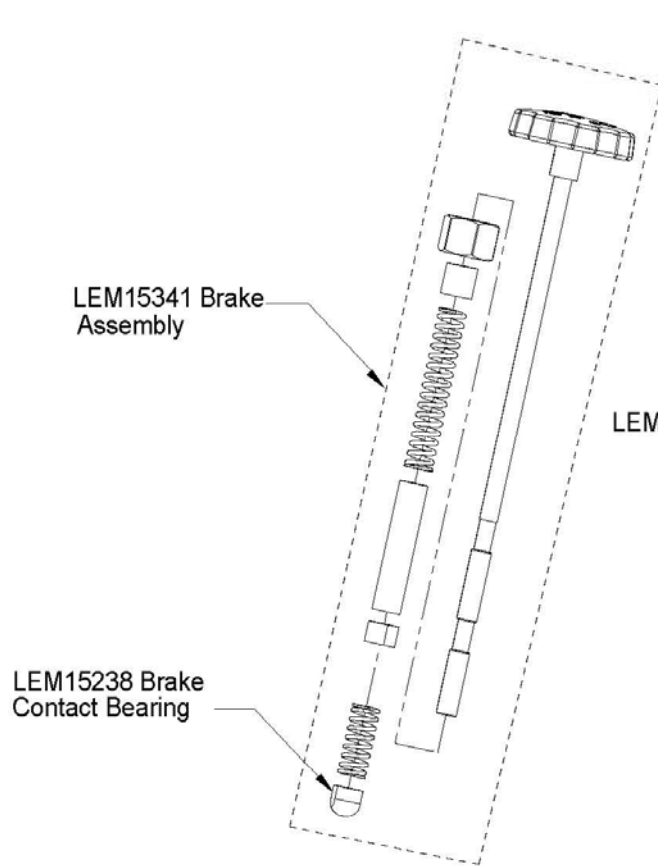


Left Side/Rear Stabilizer

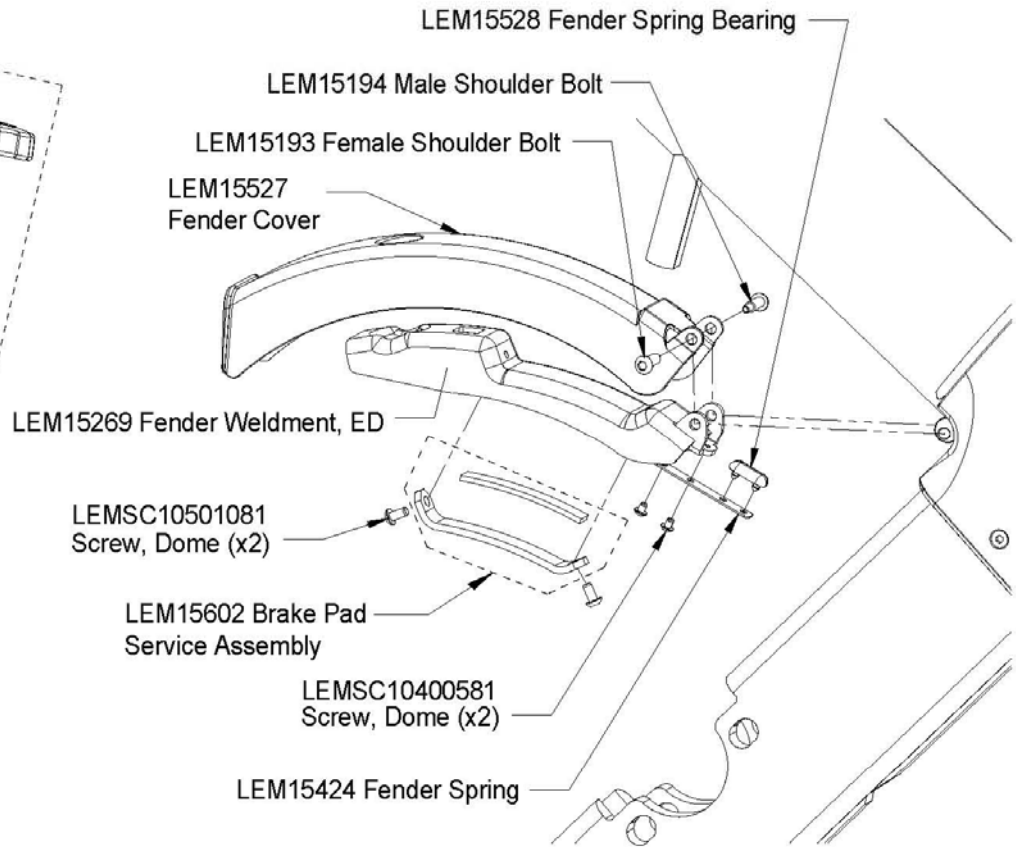




Seat Post Assembly

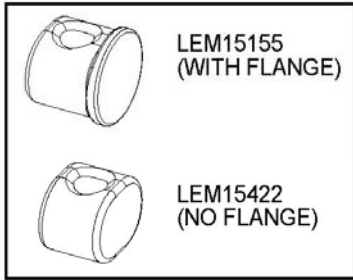


Brake Assembly



Fender Assembly

LEM15526 Fender Assembly
(all parts except shoulder bolts)



LEM15387 Flywheel,
Nickel Plated

LEM14083 Flat Head
Screw, M6x16(x3)

LEM15422 Pillowblock
Nut, No Flange (x2)

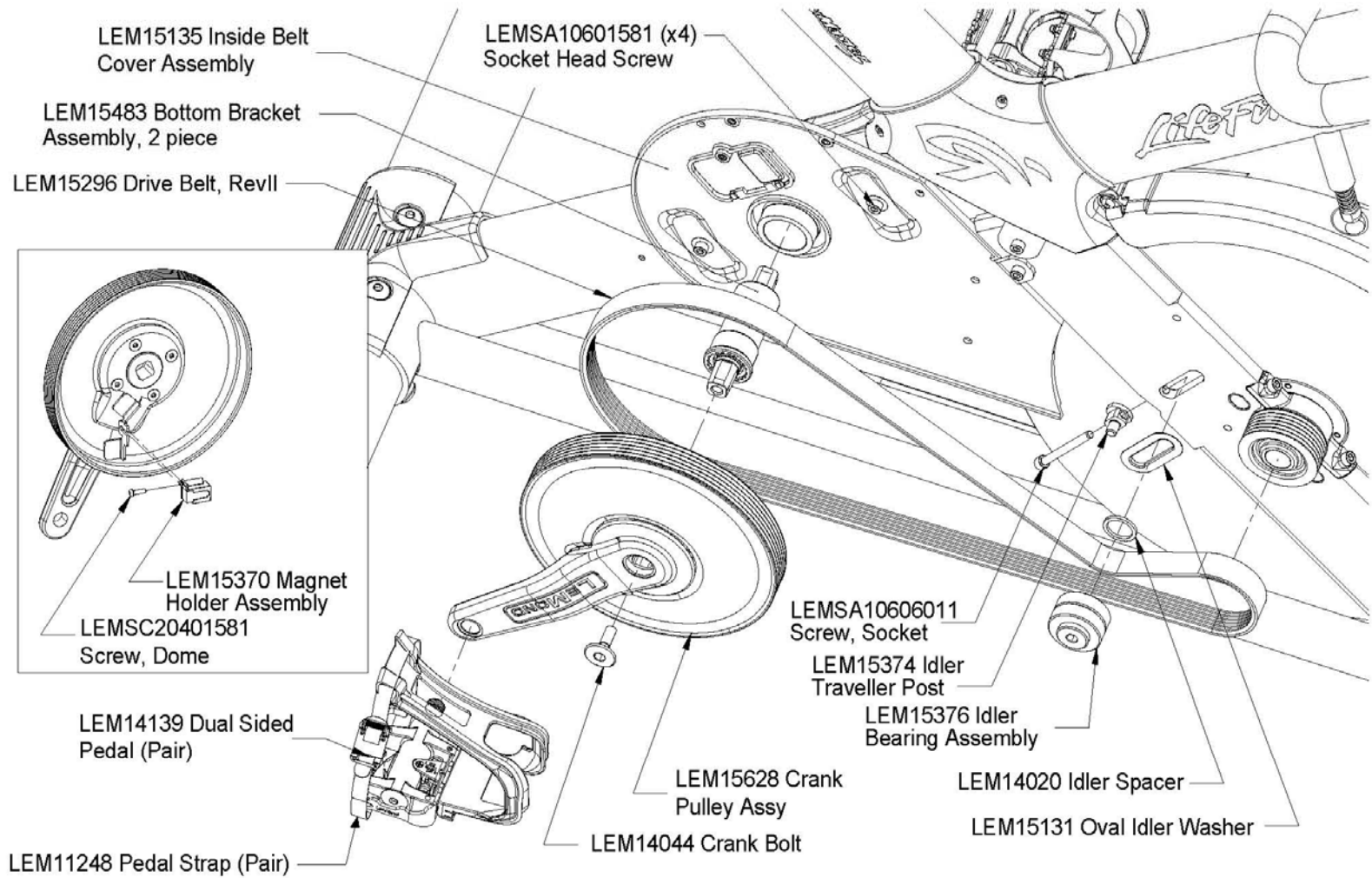
LEM15448 Flywheel
Hub Assy

LEMSA40603581
Screw, Socket (x4)

LEM15155 Pillowblock Nut

LEM15444 Left Pillowblock,
Powdercoated, Black

Flywheel Assembly



Drive System